

CASSETTE 620 ^{NEW}

Haier

2,5 kW

3,5 kW

5,0 kW

OPTIONAL CONTROL

MULTISPLIT



Silence



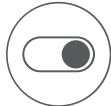
4way Independent



Wi-Fi control integrated



UVC Sterilisation



On-Off Card



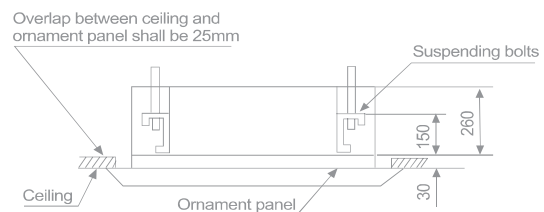
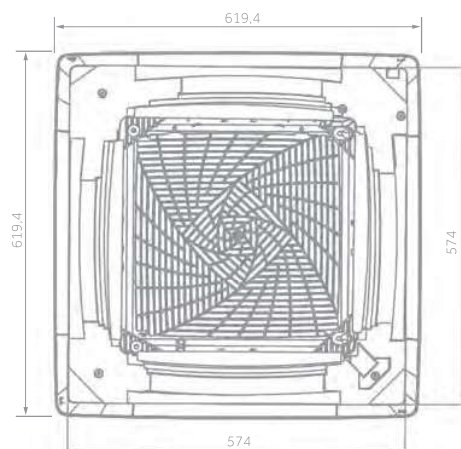
Fresh Air



- Low noise level
- Wi-Fi control integrated
- UVC Sterilisation
- On-Off card
- 'Fresh air' knockout is incorporated in the chassis to allow fresh air introduction of up to 20% of nominal unit air flow without compromising the cooling capacity. More than 20% of the air conditioner's thermal cooling capacity is penalised.

Indoor Unit		Model	AB25S2SC2FA(H)	AB35S2SC2FA(H)	AB50S2SC2FA(H)
Performance data					
Output power - COOLING	nom (min-max)	kW	2,60	3,50	5,00
Output power - HEATING	nom (min-max)	kW	3,20	4,00	5,50
Power supply		Ph/V/Hz	1/220-240/50/60	1/220-240/50/60	1/220-240/50/60
Treated air volume	(H/M/L/Q)	m ³ /h	510/450/390/330	620/520/450/350	700/620/500/400
Indoor Unit					
High sound power		dB	50	52	55
Sound pressure		dB(A)	31/28/25/23	36/33/30/27	42/37/35/32
Net dimensions	WxDxH	mm	570x570x260	570x570x260	570x570x260
Packaging dimensions	WxDxH	mm	718x680x380	718x680x380	718x680x380
Net/gross weight		kg	17,0/20,5	18,5/22,0	19,0/22,0
Installation data					
Liquid pipe	Ø	mm (inch)	6,35 (1/4)	6,35 (1/4)	6,35 (1/4)
Gas pipe	Ø	mm (inch)	9,52 (3/8)	9,52 (3/8)	12,70 (1/2)
Panel	Model		PB-620KB(H)	PB-620KB(H)	PB-620KB(H)
Panel Net dimensions	WxDxH	mm	620x620x60	620x620x60	620x620x60
Panel Packaging dimensions	WxDxH	mm	660x660x115	660x660x115	660x660x115
Panel Net/gross weight		kg	2,8/4,5	2,8/4,5	2,8/4,5

AB25 - AB35 - AB50





Silence



8way Independent



Wi-Fi control integrated



UVC Sterilisation



Fresh Air

- Low noise level
- 8 ways airflow
- Wi-Fi control integrated
- UVC Sterilisation
- 'Fresh air' knockout is incorporated in the chassis to allow fresh air introduction of up to 20% of nominal unit air flow without compromising the cooling capacity. More than 20% of the air conditioner's thermal cooling capacity is penalised.

Indoor Unit	Model	AB71S2SG1FA(H)	
Performance data			
Output power - COOLING	nom (min-max)	kW	7,10
Output power - HEATING	nom (min-max)	kW	8,00
Power supply		Ph/V/Hz	1/220-240/50/60
Treated air volume	(H/M/L/Q)	m3/h	1260/1070/820/680
Indoor Unit			
High sound power		dB	55
Sound pressure		dB(A)	42/40/38/35
Net dimensions	WxDxH	mm	840x840x204
Packaging dimensions	WxDxH	mm	990x990x310
Net/gross weight		kg	27,0/32,0
Installation data			
Liquid pipe	Ø	mm (inch)	9,52 (3/8)
Gas pipe	Ø	mm (inch)	15,88 (5/8)
Panel	Model		PB-950KB(H)
Panel Net dimensions	WxDxH	mm	950x950x50
Panel Packaging dimensions	WxDxH	mm	1013x1025x123
Panel Net/gross weight		kg	6,5/9,5

AB71

