

Residential Multisplit Inverter CASSETTE 620

Haier

2.5 kW

3.5 kW

5.0 kW

OPTIONAL CONTROL



Silence



4 ways independent



Wi-Fi (Optional)



Fresh Air

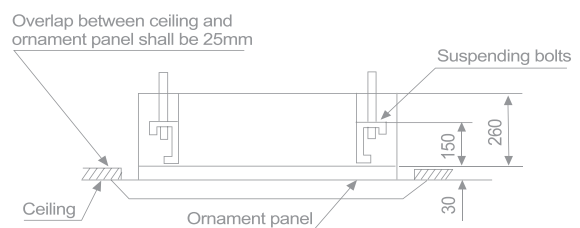
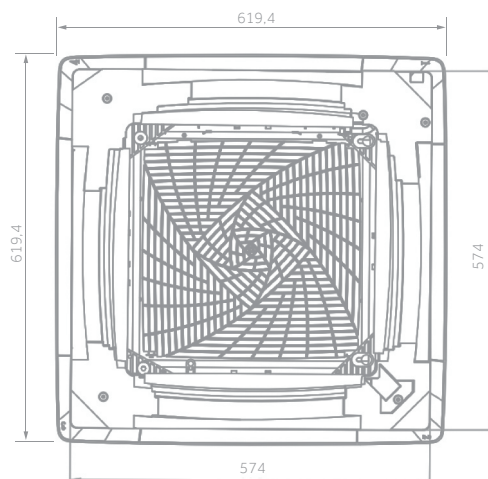


On-Off Card

- Low noise level
- Wi-Fi control (OPTIONAL)
- 'Fresh air' knockout is incorporated in the chassis to allow fresh air introduction of up to 20% of nominal unit air flow without compromising the cooling capacity. More than 20% of the air conditioner's thermal cooling capacity is penalised.
- On-Off card

INDOOR UNIT	Model		AB25S2SC2FA	AB35S2SC2FA	AB50S2SC2FA
Performance data					
Output power - COOLING	nom (min-max)	kW	2.6	3.5	5.0
Output power - HEATING	nom (min-max)	kW	3.2	4.0	5.5
Power supply		Ph/V/Hz	1/220-240/50	1/220-240/50	1/220-240/50
Treated air volume	Hi / Mi / Lo	m ³ /h	510/450/390/330	620/520/420/350	700/600/500/400
Indoor Unit					
Sound power - COOLING		dB	50	52	57
Sound pressure - COOLING		dB(A)	31/28/25/23	35/32/30/28	42/37/35/31
Dimensions	WxDxH	mm	570x570x260	570x570x260	570x570x260
Net weight		Kg	17	18.5	19
Installation data					
Liquid pipe	∅	mm	6.35	6.35	6.35
Gas pipe	∅	mm	9.52	9.52	12.7
Control					
Standard	/		/	/	/
Panel					
Model			PB-620KB	PB-620KB	PB-620KB
Dimensions	WxDxH	mm	620x620x60	620x620x60	620x620x60
Net weight		Kg	2.8	2.8	2.8

AB25 - AB35 - AB50



7.1kW

OPTIONAL CONTROL



Silence



8 ways (4 independent)



Wi-Fi (Optional)



Fresh Air



Sensor

- Low noise level
- 8 ways airflow
- Wi-Fi control (OPTIONAL)
- 'Fresh air' knockout is incorporated in the chassis to allow fresh air introduction of up to 20% of nominal unit air flow without compromising the cooling capacity. More than 20% of the air conditioner's thermal cooling capacity is penalised.
- Sensor (OPTIONAL) detects real-time air conditions and movement of people

INDOOR UNIT		Model	AB71S2SG1FA	AB71S2SG1FA
Performance data				
Output power - COOLING	nom (min-max)	kW	7.1	7.1
Output power - HEATING	nom (min-max)	kW	8.0	8.0
Power supply		Ph/V/Hz	1/220-240/50	1/220-240/50
Treated air volume	Hi / Mi / Lo	m ³ /h	1260/1070/820/680	1260/1070/820/680
Indoor Unit				
Sound power - COOLING		dB	55	55
Sound pressure - COOLING		dB(A)	36/33/29/26	36/33/29/26
Dimensions	WxDxH	mm	840x840x204	840x840x204
Net weight		Kg	27	27
Installation data				
Liquid pipe	∅	mm	9.52	9.52
Gas pipe	∅	mm	15.88	15.88
Panel				
Model	Standard (optional)		PB-950KB	
Model	Motion Sensor (optional)			PB-950MB
Dimensions	WxDxH	mm	950x950x50	950x950x50
Net weight		Kg	6.5	6.5

AB71

